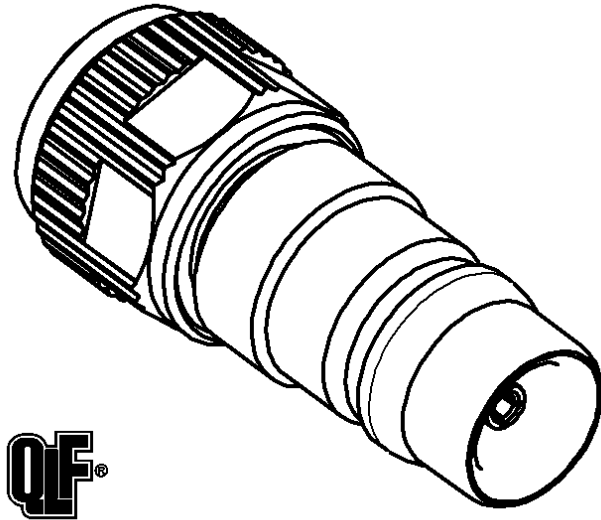
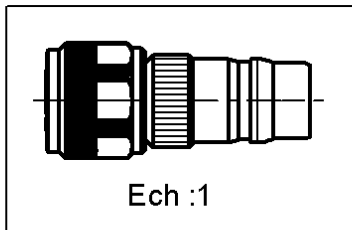
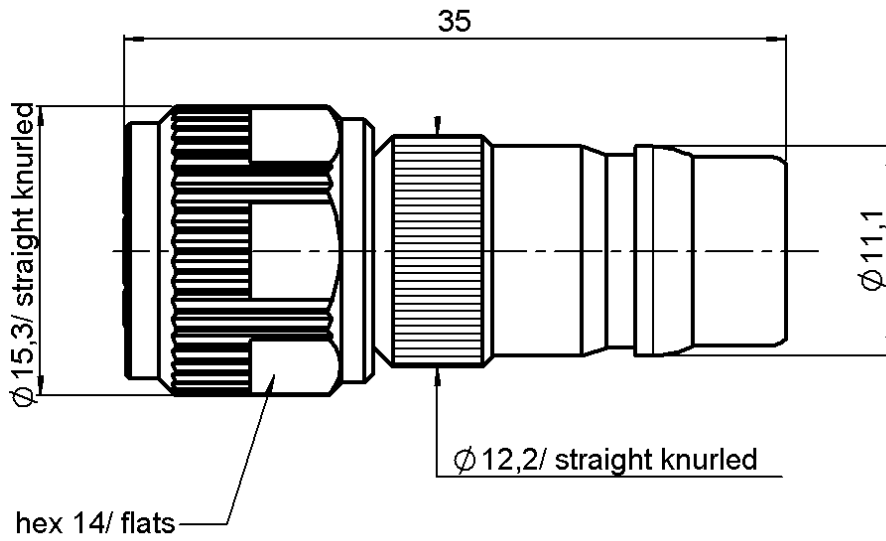


TNC MALE - QN FEMALE ADAPTER

R191.507.000

Série : ADAPT



All dimensions are in mm.

COMPONENTS	MATERIALS	PLATINGS (µm)
BODY	BRASS	BBR 0.5 OVER SILVER 3
CENTER CONTACT	BERYLLIUM COPPER	SILVER 5 PASSIVATED OVER COPPER 0.5
OUTER CONTACT	BRASS	BBR 0.5 OVER SILVER 3
INSULATOR	PTFE	
GASKET	SILICONE RUBBER	
OTHERS PARTS	BRASS	BBR 2
-	-	-
-	-	-

Issue : 0404 B

In the effort to improve our products, we reserve the rights to make changes judged to be necessary.



TNC MALE - QN FEMALE ADAPTER

R191.507.000

Série : ADAPT

PACKAGING

SPECIFICATION

Standard	Unit	Other
1	-	Contact us

ELECTRICAL CHARACTERISTICS

ENVIRONMENTAL

Impedance		50 Ω
Frequency		0-6* GHz
VSWR	AD +	0.000 x F(GHz) Maxi
Insertion loss		0.06 √F(GHz) dB Maxi
RF leakage	- (NA - F(GHz)) dB Maxi
Voltage rating		500 Veff Maxi
Dielectric withstanding voltage		1500 Veff mini
Insulation resistance		5000 MΩ mini

Operating	-55/+125° °C
Hermetic seal	NA Atm.cm3/s
Panel leakage	NA

MECHANICAL CHARACTERISTICS

OTHERS CHARACTERISTICS

Center contact retention		
Axial force – Mating end		18 N mini
Axial force – Opposite end		18 N mini
Torque		NA N.cm mini

* Usable 0-11Ghz

Recommended torque		
Mating	TNC	50 N.cm
	QN	0 N.cm
		0 N.cm
Panel nut		N.cm

Mating life		100 Cycles mini
Weight		21.050 g

Issue : 0404 B

In the effort to improve our products, we reserve the rights to make changes judged to be necessary.

